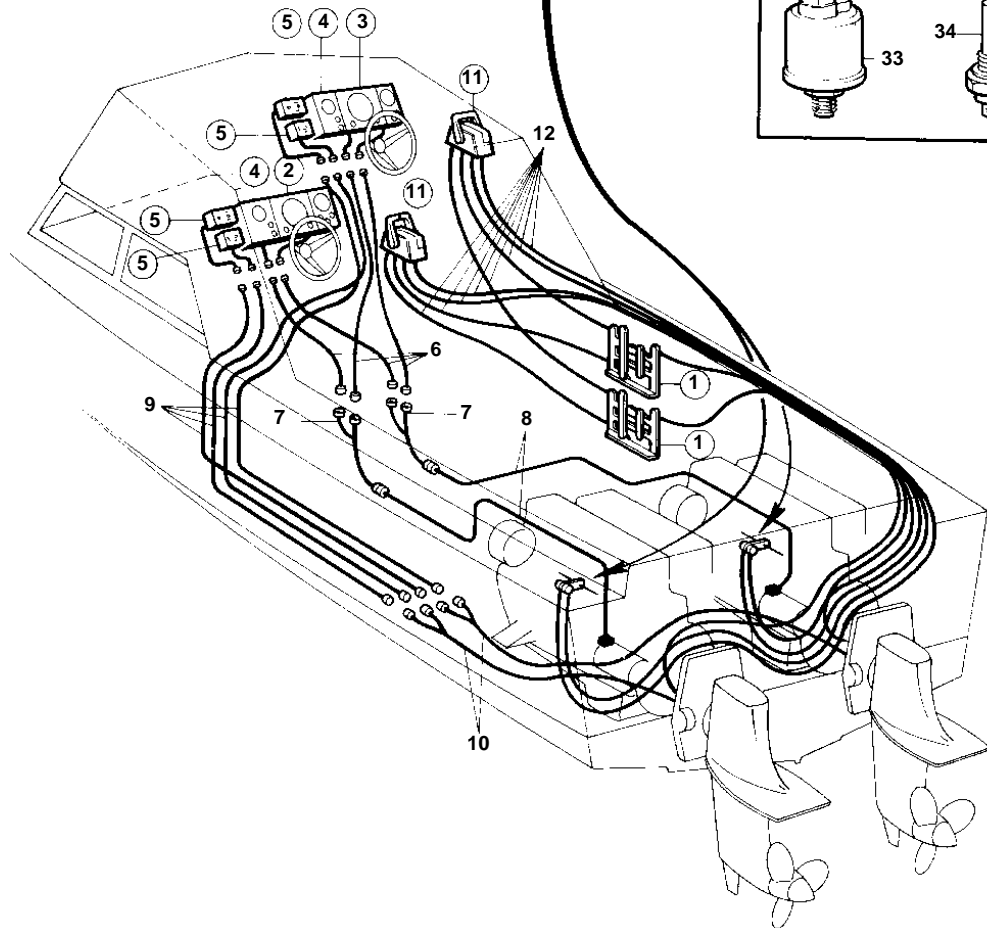
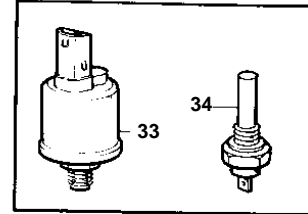
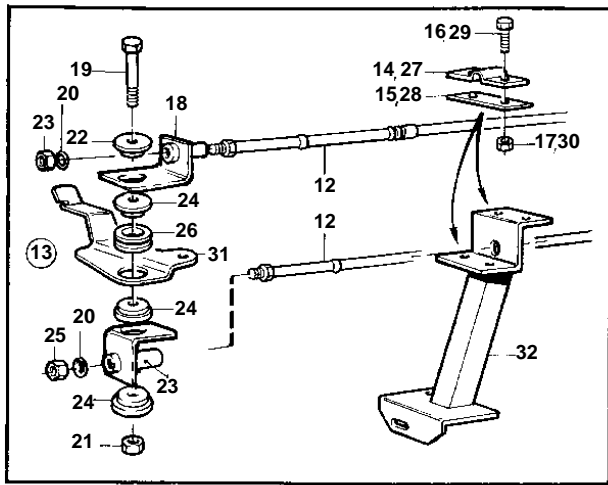


COMMON



11081

COMMON

REF	PART NO.	QTY	DESCRIPTION	SEE SEC.	NOTES
1	828164	2	Collector		
				090-2550	
2		2	INSTRUMENT PANEL		STD, SEE GROUP 3
3	864043	2	Instrument panel		
				090-1432	
4	858874	X	Instrument panel		
				090-1421	
5		4	TRIMMER		SEE GROUP 4A
6	846648	X	Extension cable		L = 3000 MM
	846649	X	Extension cable		L = 5000 MM
	846650	X	Extension cable		L = 7000 MM
7	1140598	2	Y-koppling		
8		2	CABLE UNIT		SEE GROUP 3
9	853052	X	Extension cable'verl		
10		2	CABLE UNIT		
			CABLES AND TERMINALS		SEE GROUP 3
11		X	CONTROL		
12		X	CONTROL CABLE	090-0900	
13	861221	2	Speed control kit		(858770)
14	819067	2	· Brace		
15	819068	2	· Washer		
16	956078	4	· Screw		
17	951674	4	· Lock nut		
18	861215	2	· Bracket		
19	955275	2	· Screw		
20	955971	4	· O-ring		
21	946035	2	· Lock nut		
22	843105	2	· Spacer washer		
23	861214	2	· Bracket		
24	843105	6	Spacer washer		
25	951674	4	Lock nut		
26	843109	2	Bushing		
27	819067	2	Brace		
28	819068	2	Washer		
29	956078	4	Screw		
30	951674	4	Lock nut		
31		2	BRACKET		SEE GROUP 2D
32		2	BRACKET		SEE GROUP 2D
33	862568	2	Oil pressure sensor		
34	840074	2	Temperature sensor		
	862567	2	Temperature sensor		FOR ENGINES WITH 1,5 POLE ELECTRICAL SYSTEM